

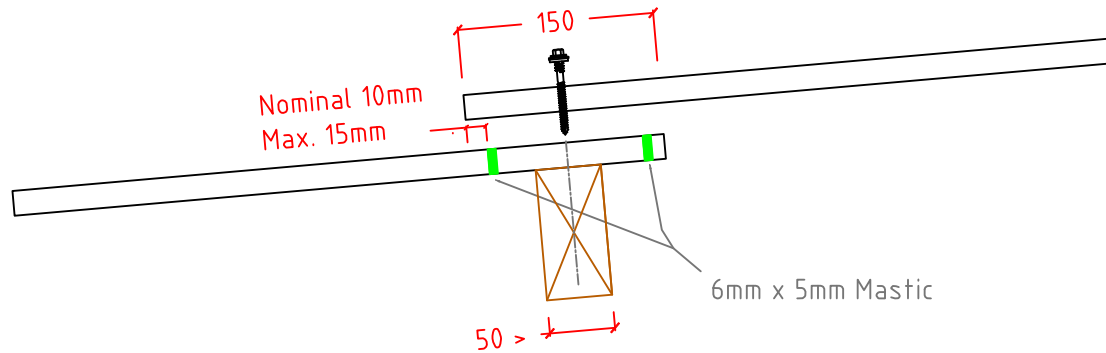
Stitching Detail

Stitch at 400mm centres going up the length of the sheet.
Use 9mm x 3mm x 15.00mtr Butyl mastic roll for your side lap sealant.

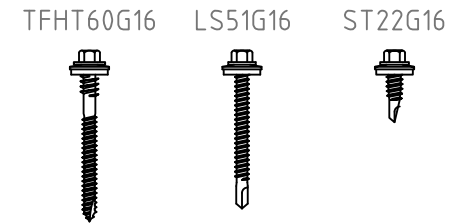
Recommended Fixing Detail



Recommended End Lap Detail



Recommended Fixings



Recommended Side Lap Detail



Tinman Steels Ltd
Unit 12, Bourne Brook Farm,
Bangley Lane, Mile Oak,
Tamworth, B78 3DX

01827 286340
sales@tinmansteelsltd.co.uk

DATE: 3 October 2023

DRAWN: APS

CLIENT:

-

DWG TITLE:

Corrugated Fixing Detail

DRAWING NO.

TMS-CORR-F1

ALL MEASUREMENTS ARE IN MILLIMETERS UNLESS OTHERWISE STATED